

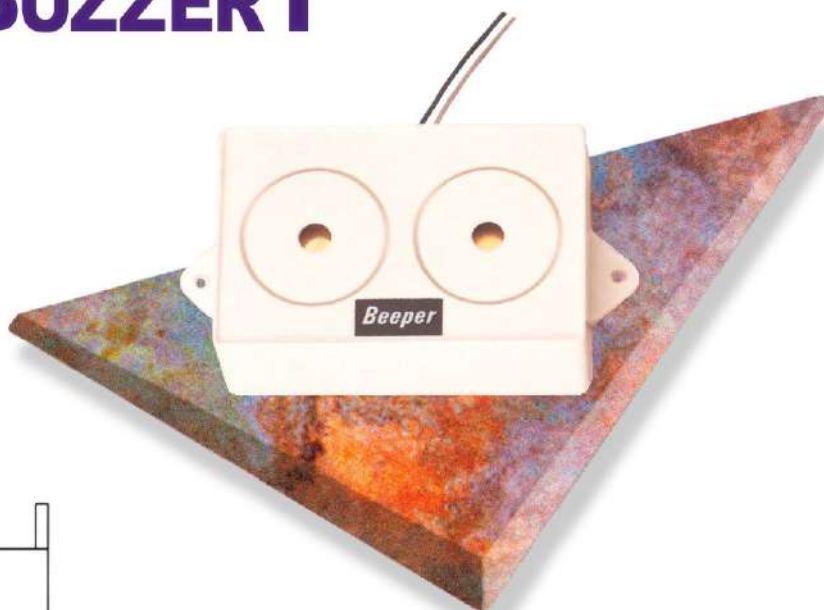
PIEZO SOUND BUZZER I

Material of Case: ABS

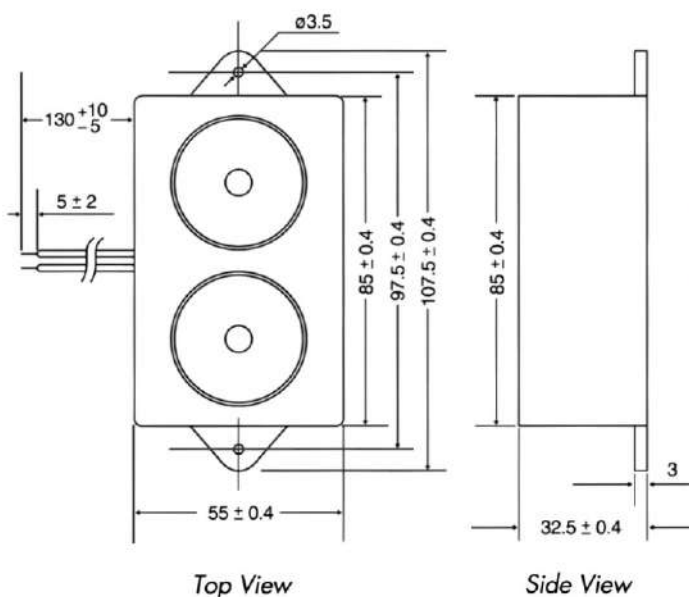
Colour: Ivory

Operating Temperature: -20°C $+60^{\circ}\text{C}$

Storage Temperature: -30°C $+70^{\circ}\text{C}$



DIMENSIONS (in mm)



Electrical Specifications

Model No.	18S3120	18T3120	18T3240	18R3120	18R3240
Operating Voltage (VDC)	6-15	6-15	16-28	6-15	16-28
Rated Voltage (VDC)	12	12	24	12	24
Max. Current at Rated Voltage (mA)	120	120	120	120	120
Frequency (KHz)	2.9 ± 0.5	$(2.6-2.8) \pm 0.5$	$(2.6-2.8) \pm 0.5$	$(1.5-3.1) \pm 0.5$	$(1.5-3.1) \pm 0.5$
Min. Sound Pressure at Rated Voltage (dBA/3M)	95	95	95	92	92
Tone	SINGLE	TWO	TWO	SIREN	SIREN
Pulse Rate at Rated Voltage (Pulse/Sec)	NIL	NIL	NIL	NIL	NIL
Terminal	LEAD	LEAD	LEAD	LEAD	LEAD

CHARACTERISTICS

Sound-bomb I

